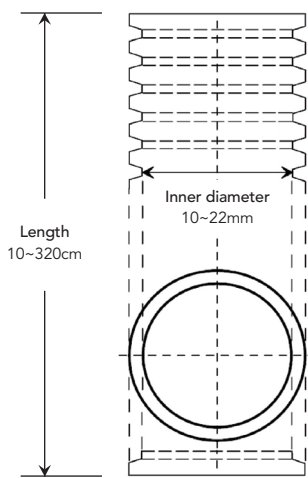


Features

- Made in Taiwan(MIT)
- Corrugated tube
- Flexible and Expandable
- Production quality acc. to ISO 9001 \ ISO 13485
- Custom colours, lengths and profiles are available upon request

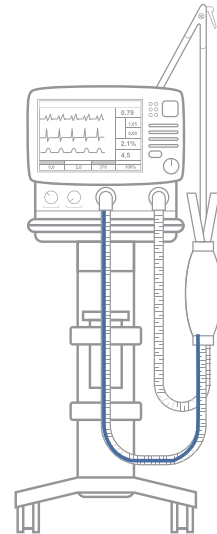


Applications

- Anesthesia & Respiratory
- Breathing Circuits
- Smoke Evacuation
- Ventilators

Construction features

Material	EVA/TPE
Inner diameter	10~22mm
Length	10~320cm



- The clean room complies with ISO 14644-Class 8 (0.5µm<100,000 particles/ft3)
- A control environment is available for upgrade to clean room
- Biocontamination control of production facility is consistent
- Detailed work instructions and experienced engineers ensure compliance to industry standards and customer requirements.